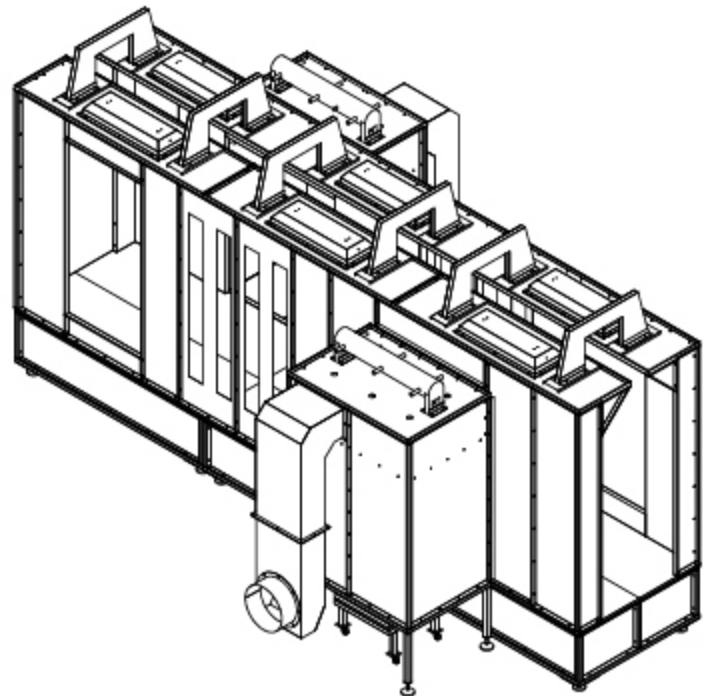
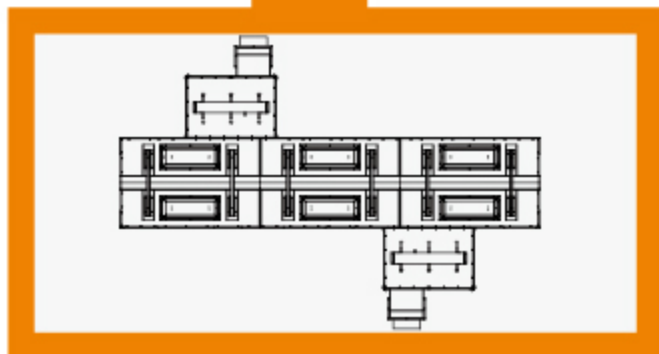
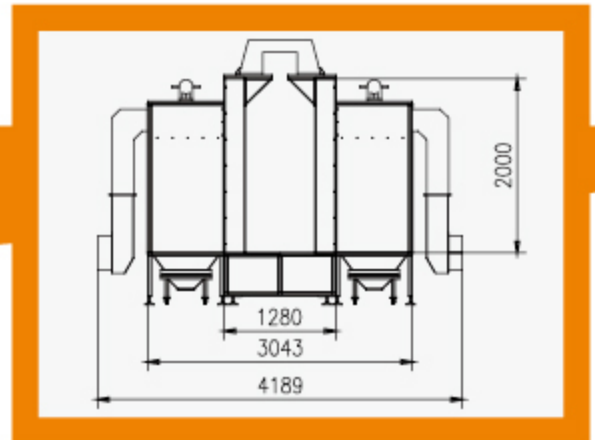
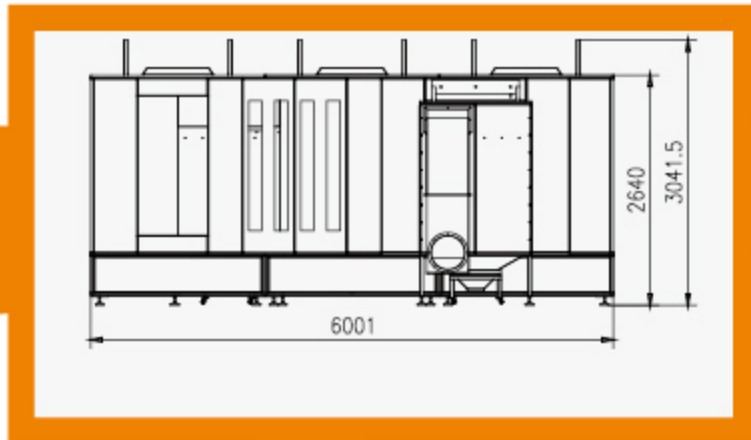


## Single grade filter element powder recycle powder coating booth

- The economic and widely used powder recycle system
- Powder recycle rate it is about 98-99%
- Only suit for simple coating ( 2-5 colors )
- Simple and reasonable structure ,easy to maintenance



<b>Model</b>	COLO-S-Basic Type
<b>Booth Type</b>	filter type
<b>Operator dimensions</b>	W800*H2000*D6000mm
<b>Overall dimensions</b>	W1200*H2500*D7000mm
<b>Voltage</b>	As required